

Features

Switching Zero cross & Random

Output Triac

Input DC with constant current control

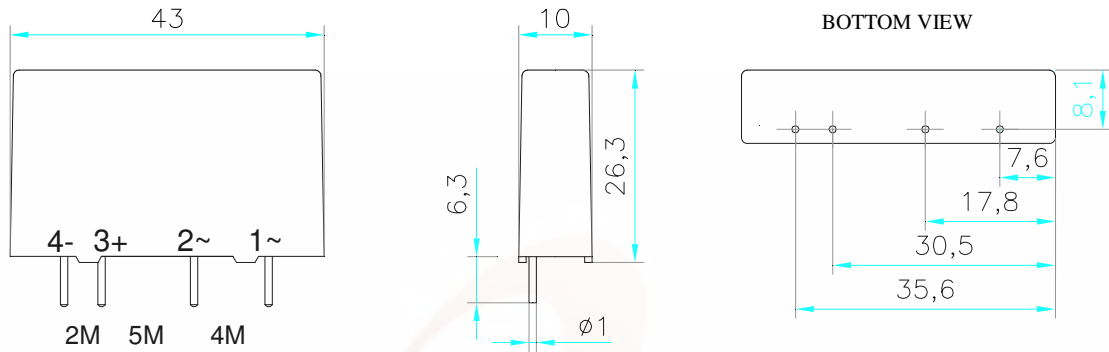
Applications

Resistive and inductive loads with $\cos\phi > 0.85$ (Z-type)
inductive load with $\cos\phi > 0.65$ (R-type)

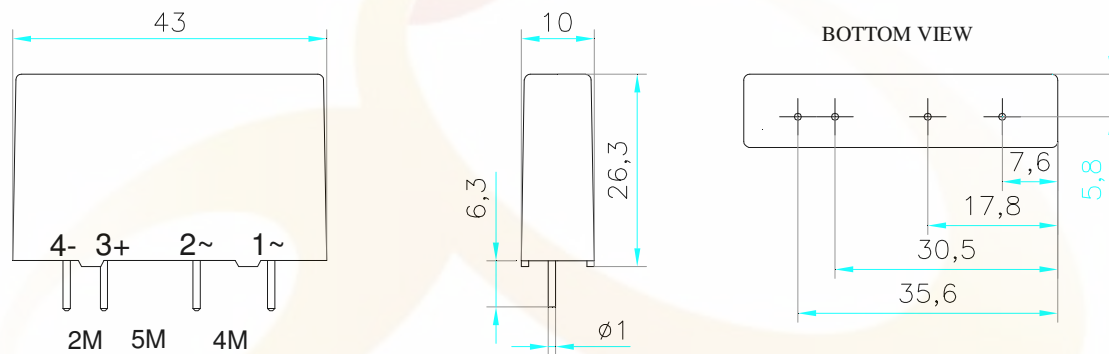
Technical data

| WG A8 6D... | 03 Z | 03 R | 05 Z | 05 R |
|---|-------------------------------------|--------|--------------|--------|
| Input circuit | | | | |
| Control voltage range | 3...32 VDC | | | |
| Control current max | 14 mA | | | |
| Turn-off voltage min.. | 1 VDC | | | |
| Input resistance | Constant current | | | |
| Output circuit | | | | |
| Load voltage range | 24 (Z-type) / 48 (R-type)...280 VAC | | | |
| Peak-off state voltage | 600 V _{drm} | | | |
| Off-state leakage current | 5 mA eff. | | 8 mA eff. | |
| Load current range | 0,05...3 A | | 0,1...5 A | |
| Surge current 1 half wave | 100 A _{peak} | | | |
| I ² t for fusing | 50 A ² s | | | |
| On-state voltage | 1,6 V _{peak} | | | |
| Off-state (static) dv/dt | 500 V/μs | | | |
| Snubber | 47 Ω / 22 nF | | 47 Ω / 47 nF | |
| General data | | | | |
| Turn-on time max. | 11 ms | 0,1 ms | 11 ms | 0,1 ms |
| Turn-off time max. | 11 ms | | | |
| Line frequency range. | 47...63 Hz | | | |
| Isolation volt. between input/output | 4.000 V | | | |
| Isolation volt. between input-output/base | — | | | |
| Isolation resistance | 50 MΩ | | | |
| Operation temperature | -20...+80 °C | | | |
| Recommended varistor | SIOV-S14 K230 | | | |
| Approvals | UL | | | |

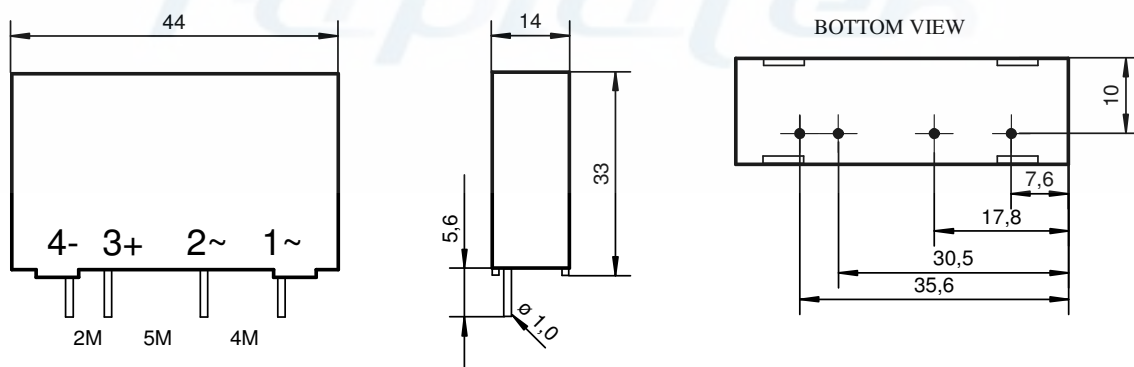
Dimensions in mm WG A8 6D 03 Z/R



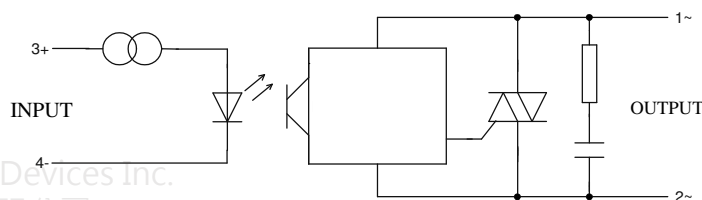
Dimensions in mm WG A8 6D 03 Z/R - S



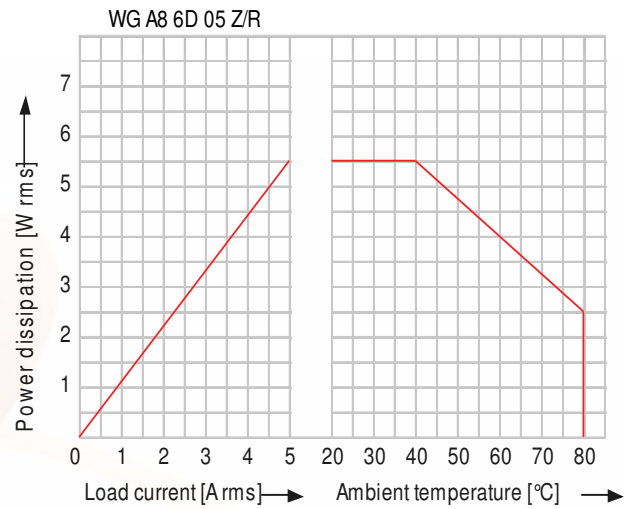
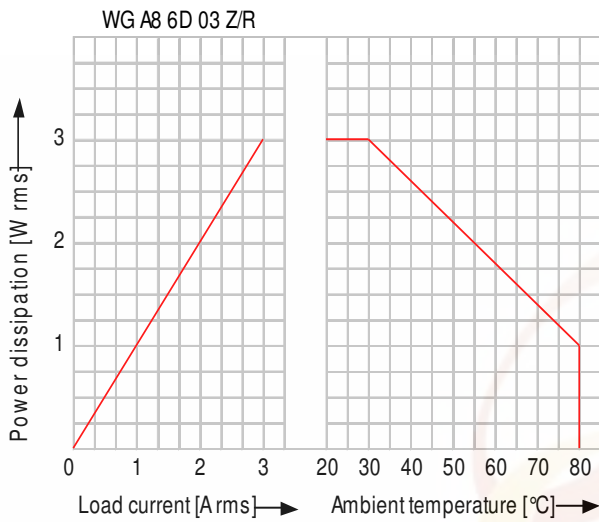
Dimensions in mm WG A8 6D 05 Z/R



Circuit diagram



Derating-diagramme



Housing specifications

| | |
|------------------|----------------------------|
| Weight | Approx. 20 g |
| Housing material | Glass filled polyester |
| Potting compound | Thermally conductive epoxy |
| Terminals | Solder pins |

Ordering

